

**NA6901-XL**

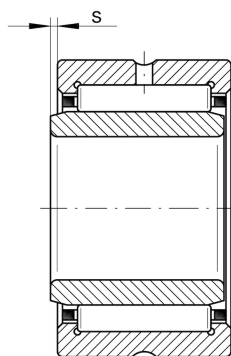
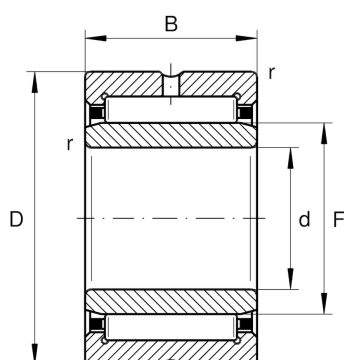
Radial roller bearing

Schaeffler ID:
0507430070000

Radial roller bearing NA..-XL

X-life

Technical information

**Main Dimensions & Performance Data**

d	12 mm	Bore diameter
D	24 mm	Outside diameter
B	22 mm	Width
C_r	18,100 N	Basic dynamic load rating, radial
C_{0r}	21,600 N	Basic static load rating, radial
C_{ur}	3,850 N	Fatigue load limit, radial
n_G	23,200 1/min	Limiting speed
$n_{G \text{ Grease}}$	13,900 1/min	Limiting speed for grease lubrication
n_{gr}	13,300 1/min	Reference speed
	0.046 kg	Weight

Dimensions

r_{\min}	0.3 mm	Minimum chamfer dimension
F	16 mm	Raceway diameter inner ring
s	1 mm	Axial displacement

Temperature range

T_{\min}	-30 °C	Operating temperature min.
T_{\max}	120 °C	Operating temperature max.